

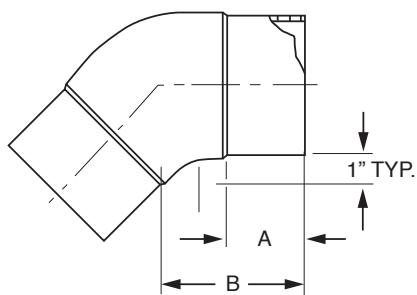
# GENERAL FITTINGS



*In AquaFusion We Trust™*



## BUTT FUSION FITTINGS: 45° Elbows



NSF/ANSI Standard 61 -  
Drinking Water System  
Components

**AquaFuse 45° Elbow Butt PE4710 SDR11 IPS - Molded**

Size (inch)	SDR	Part No.	A (inch)	B (inch)	Box Qty	Weight (lb)
2	11	AF360004405	2.42	3.23	10	1.500
3	11	AF360029267	3.13	5.00	10	2.000
4	11	AF360029039	3.00	5.00	10	3.020
6	11	AF360028266	4.38	7.00	2	8.620
8	11	AF360019868	6.00	11.00	2	18.629
10	11	AF360000052	6.00	13.25	1	41.491
12	11	AF360000178	7.50	15.75	1	60.010

**AquaFuse 45° Elbow Butt PE4710 SDR13.5 IPS - Molded**

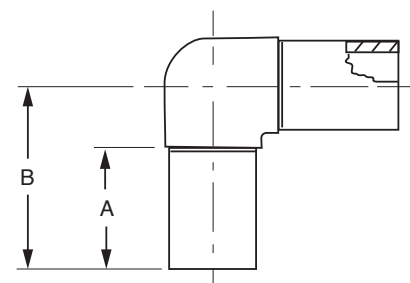
Size (inch)	SDR	Part No.	A (inch)	B (inch)	Box Qty	Weight (lb)
2	13.5	Upon Request	2.42	3.23	10	1.500
3	13.5	AF360044941	3.13	5.00	10	2.000
4	13.5	AF360029040	3.00	5.00	10	3.020
6	13.5	AF360029043	4.38	7.00	2	8.620
8	13.5	AF360028220	6.00	11.00	2	18.629
10	13.5	AF360000169	6.00	13.25	1	41.491
12	13.5	AF360000180	7.50	15.75	1	60.010

**AquaFuse 45° Elbow Butt PE4710 SDR17 IPS - Molded**

Size (inch)	SDR	Part No.	A (inch)	B (inch)	Box Qty	Weight (lb)
2	17	AF360019854	2.42	3.23	10	1.500
3	17	AF360000189	3.46	5.00	10	1.521
4	17	AF360029042	3.00	5.00	10	2.535
6	17	AF360029044	4.38	7.00	2	8.047
8	17	AF360028219	6.00	11.00	2	17.725
10	17	AF360000173	6.00	13.25	1	38.008
12	17	AF360000184	7.50	15.90	1	58.996

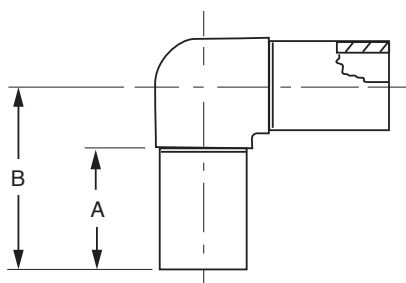
## BUTT FUSION FITTINGS: 90° Elbows

AquaFuse 90° Elbow Butt PE4710 SDR11 IPS - Molded						
Size (inch)	SDR	Part No.	A (inch)	B (inch)	Box Qty	Weight (lb)
¾	11	AF360000228	1.75	3.06	100	0.088
1	11	AF360000234	1.75	3.19	100	0.132
1¼	11	AF360000238	1.80	3.38	100	0.265
1½	11	AF360000241	2.33	4.02	80	0.331
2	11	AF360000040	2.52	4.68	10	0.661
3	11	AF360000041	3.12	5.63	10	1.631
4	11	AF360029251	3.87	6.90	10	3.241
6	11	AF360000043	4.64	9.18	2	7.848
8	11	AF360000044	6.33	11.95	2	17.240
10	11	AF360000045	6.00	13.25	1	35.803
12	11	AF360000046	7.50	15.88	1	59.701



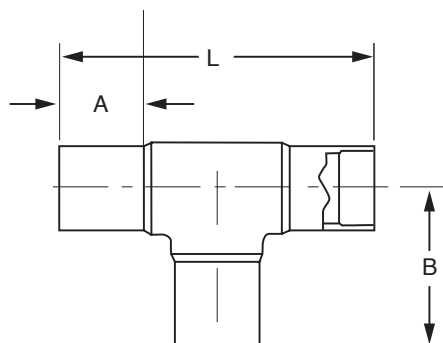
AquaFuse 90° Elbow Butt PE4710 SDR13.5 IPS - Molded						
Size (inch)	SDR	Part No.	A (inch)	B (inch)	Box Qty	Weight (lb)
2	13.5	AF360019884	2.52	4.68	10	0.661
3	13.5	AF360019888	3.12	5.63	10	1.631
4	13.5	AF360045068	3.87	6.90	10	3.241
6	13.5	AF360019899	4.64	9.18	2	7.848
8	13.5	AF360000301	6.33	11.95	2	17.240
10	13.5	AF360000248	6.00	13.25	1	35.803
12	13.5	AF360000259	7.50	15.88	1	59.701

## BUTT FUSION FITTINGS: 90° Elbows – Tees



**AquaFuse 90° Elbow Butt PE4710 SDR17 IPS - Molded**

Size (inch)	SDR	Part No.	A (inch)	B (inch)	Box Qty	Weight (lb)
2	17	AF360000268	2.52	4.68	10	0.529
3	17	AF360000271	3.16	5.99	10	1.521
4	17	AF360029250	3.87	6.90	10	3.395
6	17	AF360000289	4.64	9.18	2	7.297
8	17	AF360000304	6.33	11.95	2	16.006
10	17	AF360000252	6.00	13.25	1	33.003
12	17	AF360000263	7.50	15.88	1	52.007

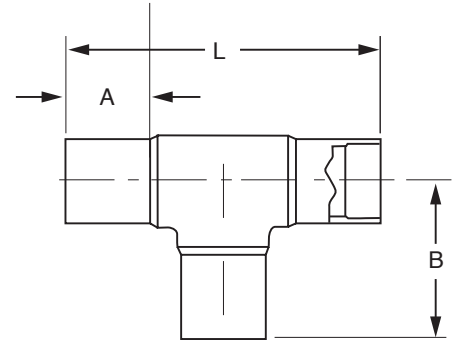


**AquaFuse Tee Butt PE4710 SDR11 IPS - Molded**

Size (inch)	SDR	Part No.	A (inch)	B (inch)	L (inch)	Box Qty	Weight (lb)
¾	11	AF360000477	1.64	3.06	6.12	50	0.044
1	11	AF360000482	1.63	3.19	6.38	100	0.198
1¼	11	AF360000486	1.76	3.38	6.76	50	0.419
1½	11	AF360000487	2.18	4.25	8.50	40	0.419
2	11	AF360000514	2.81	4.61	9.28	10	0.904
3	11	AF360000519	3.16	5.99	11.98	10	2.205
4	11	AF360029052	3.90	6.87	13.73	8	4.762
6	11	AF360000538	4.38	9.00	18.00	1	10.560
8	11	AF360000551	6.19	12.00	24.00	1	29.895
10	11	AF360000053	6.00	13.25	26.50	1	50.001
12	11	AF360000504	7.50	15.88	31.75	1	77.007

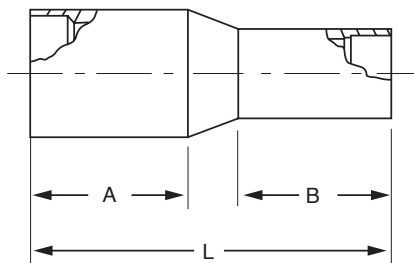
## BUTT FUSION FITTINGS: Tees

AquaFuse Tee Butt PE4710 SDR13.5 IPS - Molded							
Size (inch)	SDR	Part No.	A (inch)	B (inch)	L (inch)	Box Qty	Weight (lb)
2	13.5	AF360020014	2.81	4.61	9.28	10	0.904
3	13.5	AF360020018	3.16	5.99	11.98	10	2.205
4	13.5	AF360045067	3.90	6.87	13.73	8	4.762
6	13.5	AF360020027	4.38	9.00	18.00	1	10.560
8	13.5	AF360029053	6.19	12.00	24.00	1	29.895
10	13.5	AF360000495	6.00	13.25	26.50	1	50.001
12	13.5	AF360000506	7.50	15.88	31.75	1	77.007



AquaFuse Tee Butt PE4710 SDR17 IPS - Molded						
Size (inch)	SDR	Part No.	A (inch)	B (inch)	L (inch)	Weight (lb)
2	17	AF360000517	2.81	4.61	9.28	0.992
3	17	AF360000521	3.16	5.99	11.98	2.094
4	17	AF360029305	3.90	7.30	14.60	4.390
6	17	AF360000542	4.38	9.00	18.00	13.492
8	17	AF360000555	6.19	12.00	24.00	22.994
10	17	AF360000499	6.00	13.25	26.50	44.495
12	17	AF360000510	7.50	15.88	31.75	71.011

## BUTT FUSION FITTINGS: Reducers

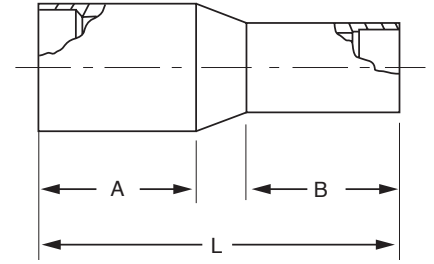


AquaFuse Reducer Bushing Butt PE4710 SDR11 IPS - Molded						
Size	SDR	Part No.	A (inch)	B (inch)	L (inch)	Weight (lb)
1¼ x 1	11	AF360018340	1.86	1.92	4.25	0.110
1½ x 1	11	AF360062336	2.50	2.28	5.75	0.154
3 x 2	11	AF360003439	3.35	2.56	7.15	1.000
4 x 2	11	AF360003440	3.50	2.75	7.88	1.000
4 x 3	11	AF360000069	3.50	3.00	7.63	1.323
6 x 3	11	AF360018370	5.12	3.94	11.42	2.000
6 x 4	11	AF360018387	4.38	3.75	9.50	3.042
8 x 6	11	AF360018388	4.75	5.06	11.81	7.011
10 x 6	11	AF360018393	6.00	6.00	12.00	14.595
10 x 8	11	AF360003453	6.00	6.00	16.00	13.977
12 x 8	11	AF360029046	6.00	6.25	16.59	18.298
12 x 10	11	AF360018413	6.50	6.25	14.75	20.194

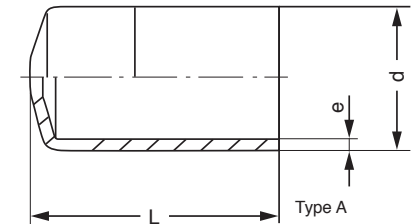
AquaFuse Reducer Bushing Butt PE4710 SDR13.5 IPS - Molded						
Size	SDR	Part No.	A (inch)	B (inch)	L (inch)	Weight (lb)
3 x 2	13.5	AF360019980	3.35	2.56	7.15	1.000
4 x 2	13.5	AF360019985	3.50	2.75	7.88	1.000
4 x 3	13.5	AF360019987	3.50	3.00	7.63	1.323
6 x 4	13.5	AF360019994	4.38	3.75	9.50	3.042
8 x 6	13.5	AF360003498	4.75	5.06	11.81	7.011
10 x 8	13.5	AF360019960	6.00	6.00	16.00	13.977
12 x 8	13.5	AF360029048	6.00	6.25	16.59	18.298
12 x 10	13.5	AF360029047	6.50	6.25	14.75	20.194

## BUTT FUSION FITTINGS: Reducers – Caps

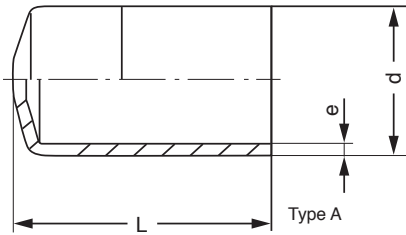
AquaFuse Reducer Bushing Butt PE4710 SDR17 IPS - Molded						
Size	SDR	Part No.	A (inch)	B (inch)	L (inch)	Weight (lb)
3 x 2	17	AF360003496	3.35	2.56	7.15	1.000
4 x 2	17	AF360062337	2.96	2.75	7.16	1.000
4 x 3	17	AF360003490	3.50	3.00	7.63	1.190
6 x 3	17	AF360018371	5.12	3.94	11.42	2.000
6 x 4	17	AF360000035	4.38	3.75	9.50	3.000
8 x 6	17	AF360003497	5.06	4.75	11.81	7.000
10 x 8	17	AF360019962	6.62	6.25	14.86	12.610
12 x 8	17	AF360029050	6.00	6.25	16.59	16.000
12 x 10	17	AF360029049	6.50	6.25	14.75	17.924



AquaFuse Caps PE4710 Butt SDR 11 - Molded						
Size	SDR	Part No.	d (inch)	L (inch)	e (inch)	Weight (lb)
2	11	AF360000334	2.38	2.95	0.22	0.500
3	11	AF360000338	3.50	7.43	0.32	0.794
4	11	AF360000343	4.50	7.75	0.42	1.367
6	11	AF360000352	6.63	6.44	0.60	2.579
8	11	AF360000363	8.63	7.95	0.79	5.975
10	11	AF360003452	10.75	10.05	0.98	11.83
12	11	AF360003454	12.75	11.93	1.16	19.643



## BUTT FUSION FITTINGS: Caps



AquaFuse Caps PE4710 Butt SDR 13.5 - Molded						
Size	SDR	Part No.	d (inch)	L (inch)	e (inch)	Weight (lb)
2	13.5	Upon Request	2.38	2.95	0.22	0.500
3	13.5	Upon Request	3.50	7.43	0.32	0.794
4	13.5	Upon Request	4.50	7.75	0.42	1.367
6	13.5	Upon Request	6.63	6.44	0.60	2.579
8	13.5	AF360003499	8.63	7.95	0.79	5.975
10	13.5	AF360003502	10.75	10.05	0.98	
12	13.5	AF360003495	12.75	11.93	1.16	19.643

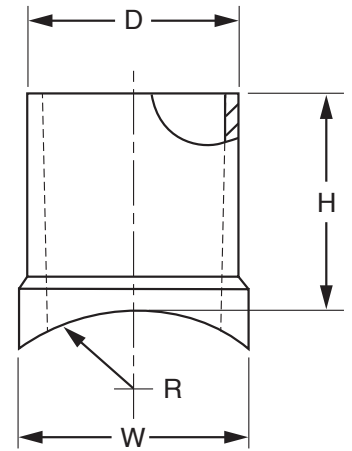
AquaFuse Caps PE4710 Butt SDR 17 - Molded						
Size	SDR	Part No.	d (inch)	L (inch)	e (inch)	Weight (lb)
2	17	AF360000336	2.38	2.95	0.14	0.450
3	17	AF360000339	2.88	7.43	0.21	0.838
4	17	AF360000347	3.00	7.75	0.27	1.279
6	17	AF360003442	6.63	6.44	0.39	2.337
8	17	AF360003500	8.63	7.95	0.51	5.556
10	17	AF360015444	10.75	10.05	0.63	
12	17	AF360015448	12.75	12.44	0.75	18.000



## BUTT FUSION FITTINGS: Branch Saddles

**AquaFuse Round Base Branch Saddle PE4710 Butt 2" Outlet SDR 11**

Size	SDR	Part No.	H (inch)	W (inch)	D (inch)	Weight (lb)
2	11	AF360003581	3.00	2.63	2.37	0.265
3	11	AF360000572	3.00	2.63	2.37	0.220
4	11	AF360000586	3.00	2.63	2.37	0.220
6	11	AF360000601	3.00	2.63	2.37	0.220
8	11	AF360000614	3.00	2.63	2.37	0.220
10	11	AF360003583	3.00	2.63	2.37	0.198
12	11	AF360003049	3.00	2.63	2.37	0.198
14	11	AF360003586	3.00	2.63	2.37	0.198
16	11	AF360003587	3.00	2.63	2.37	0.220
18	11	AF360003589	3.00	2.63	2.37	0.220
24	11	AF360003565	3.00	2.63	2.37	0.198



**AquaFuse Round Base Branch Saddle PE4710 Butt 3" Outlet SDR 11**

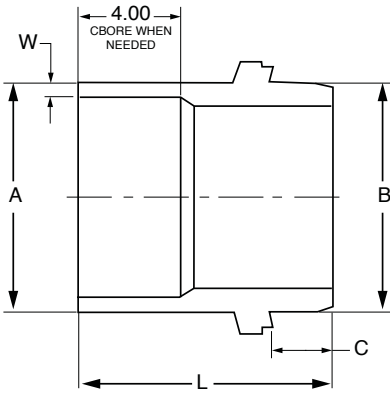
Size	SDR	Part No.	H (inch)	W (inch)	D (inch)	Weight (lb)
4	11	AF360000592	4.00	3.88	3.50	0.683
6	11	AF360000607	4.00	3.88	3.50	0.617
8	11	AF360000620	4.00	3.88	3.50	0.639
10	11	AF360003590	4.00	3.88	3.50	0.639
12	11	AF360003592	4.00	3.88	3.50	0.617
14	11	AF360003594	4.00	3.88	3.50	0.639
16	11	AF360003595	4.00	3.88	3.50	0.705
18	11	AF360003596	4.00	3.88	3.50	0.595
20	11	AF360003597	4.00	3.88	3.50	0.705
24	11	AF360003566	4.00	3.88	3.50	0.617

**AquaFuse Round Base Branch Saddle PE4710 Butt 3" Outlet SDR 17**

Size	SDR	Part No.	H (inch)	W (inch)	D (inch)	Weight (lb)
10	17	AF360003591	4.00	3.88	3.50	0.661
12	17	AF360003593	4.00	3.88	3.50	0.661

**Need other sizes? We offer 20,000+ SKUs! Call for available options.**

# MJ ADAPTERS



## AquaFuse MJ Adapter PE4710 IPS SDR11 - With Stiffener

Size (inch)	SDR	Part No.	A (inch)	B (inch)	C (inch)	L (inch)	Box Qty	Weight (lb)
3	11	AF360022236	3.50	3.96	2.25	9.00	2	2.116
4	11	AF360022238	4.50	4.80	2.25	10.25	4	3.395
6	11	AF360022243	6.63	6.90	2.25	11.31	4	6.570
8	11	AF360003506	8.63	9.05	2.25	12.00	1	11.199
10	11	AF360022231	10.75	11.10	2.25	13.56	1	17.924
12	11	AF360022235	12.75	13.20	2.25	13.00	1	22.994

**Note:** Beveled for Butterfly Valves available upon request. Standard 45° bevel unless otherwise specified by customer. Due to variations in valve dimensions, the installer should verify proper function of the valve at the time of installation.

- Approval: NSF-61
- Approval: AWWA C901
- Approval: ASTM D3261

## AquaFuse MJ Adapter PE4710 IPS SDR11 - Without Stiffener

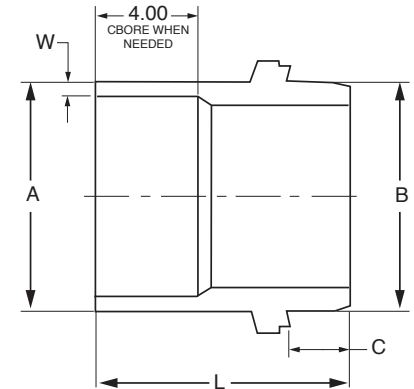
Size (inch)	SDR	Part No.	A (inch)	B (inch)	C (inch)	L (inch)	Box Qty	Weight (lb)
3	11	AF360003462	3.50	3.90	2.25	9.00	2	2.116
4	11	AF360003464	4.50	4.80	2.34	10.25	6	3.395
6	11	AF360022242	6.63	6.90	2.31	11.31	4	6.570
8	11	AF360003467	8.63	9.05	2.34	11.94	3	11.199
10	11	AF360004432	10.75	11.10	2.25	13.56	1	17.924
12	11	AF360003483	12.75	13.20	2.25	13.00	1	22.994

**Note:** Beveled for Butterfly Valves available upon request. Standard 45° bevel unless otherwise specified by customer. Due to variations in valve dimensions, the installer should verify proper function of the valve at the time of installation.

- Approval: NSF-61
- Approval: AWWA C901
- Approval: ASTM D3261

## AquaFuse MJ Adapter PE4710 IPS SDR17 - With Stiffener

Size (inch)	SDR	Part No.	A (inch)	B (inch)	C (inch)	L (inch)	Box Qty	Weight (lb)
3	17	AF360001923	3.50	3.96	2.25	9.00	2	1.870
4	17	AF360029093	4.50	4.80	2.25	10.25	4	2.910
6	17	AF360001959	6.62	6.90	2.25	11.31	4	5.660
8	17	AF360029104	8.62	9.05	2.25	12.00	1	10.000
10	17	AF360001793	10.75	11.10	2.25	13.56	1	15.800
12	17	AF360001813	12.75	13.20	2.25	13.00	1	21.200



**Note:** Beveled for Butterfly Valves available upon request. Standard 45° bevel unless otherwise specified by customer. Due to variations in valve dimensions, the installer should verify proper function of the valve at the time of installation.

- Approval: NSF-61
- Approval: AWWA C901
- Approval: ASTM D3261

## AquaFuse MJ Adapter PE4710 IPS SDR17 - Without Stiffener

Size (inch)	SDR	Part No.	A (inch)	B (inch)	C (inch)	L (inch)	Box Qty	Weight (lb)
3	17	AF360017717	3.50	3.96	2.25	9.00	2	1.870
4	17	AF360022239	4.50	4.80	2.25	10.25	4	2.910
6	17	AF360029098	6.63	6.90	2.25	11.31	4	5.660
8	17	AF360029103	8.63	9.05	2.25	12.00	1	10.000
10	17	AF360022232	10.75	11.10	2.25	13.56	1	15.800
12	17	AF360004433	12.75	13.20	2.25	13.00	1	21.200

**Note:** Beveled for Butterfly Valves available upon request. Standard 45° bevel unless otherwise specified by customer. Due to variations in valve dimensions, the installer should verify proper function of the valve at the time of installation.

- Approval: NSF-61
- Approval: AWWA C901
- Approval: ASTM D3261



AquaFuse MJ Accessory Kit - With Ductile Iron Gland Ring, IPS/DIPS				
Size (inch)	Part No.	# of Bolts	Box Qty	Weight (lb)
3	AF360000664	4	1	5.952
4	AF360000665	4	1	7.804
6	AF360001775	6	1	12.181
8	AF360003513	6	1	
10	AF360000657	8	1	18.980
12	AF360000658	8	1	22.154

**Note:** 3" - 12" IPS/DIPS MJ Accessory Kit Includes: Ductile iron gland ring; Rubber gasket; T-bolts; Hex nuts.  
 • Approval: ANSI A21.11  
 • Approval: AWWA C111



AquaFuse MJ Accessory Kit - Without Gland Ring, IPS/DIPS				
Size (inch)	Part No.	# of Bolts	Box Qty	Weight (lb)
3	AF360000664	4	1	5.952
4	AF360000665	4	1	7.804
6	AF360001775	6	1	12.181
8	AF360003513	6	1	
10	AF360000657	8	1	18.980
12	AF360000658	8	1	22.154

**Note:** 3" - 12" IPS/DIPS MJ Accessory Kit Includes: Ductile iron gland ring; Rubber gasket; T-bolts; Hex nuts.  
 • Approval: ANSI A21.11  
 • Approval: AWWA C111

## AquaFuse MJ Accessory Kit - Carbon Steel Gland Ring, IPS/DIPS

Size (inch)	Part No.	# of Bolts	Box Qty	Weight (lb)
14	AF360000652	10	1	47.995
16	AF360000653	12	1	54.800
18	AF360000654	12	1	66.125
20	AF360000655	14	1	79.505
24	AF360000656	16	1	108.002



**Note:** 14" - 24" IPS/DIPS MJ Accessory Kit Includes: Rubber gasket; T-bolts; Heavy flat washers; Hex nuts. Does not include gland ring - black carbon steel ring must be ordered separately.

- Approval: ANSI A21.11
- Approval: AWWA C111

## AquaFuse MJ Accessory Kit - Without Gland Ring, IPS/DIPS

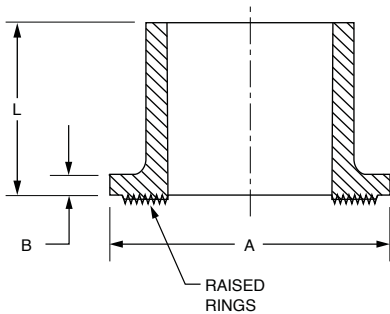
Size (inch)	Part No.	# of Bolts	Box Qty	Weight (lb)
14	AF360000659	10	1	14.136
16	AF360000660	12	1	16.541
18	AF360000661	12	1	16.685
20	AF360000662	14	1	19.696
24	AF360000663	16	1	22.436



**Note:** 14" - 24" IPS/DIPS MJ Accessory Kit Includes: Rubber gasket; T-bolts; Heavy flat washers; Hex nuts. Does not include gland ring - black carbon steel ring must be ordered separately.

- Approval: ANSI A21.11
- Approval: AWWA C111

# FLANGE ADAPTERS



**AquaFuse Flange Adapters PE 3408/PE4710 SDR11**

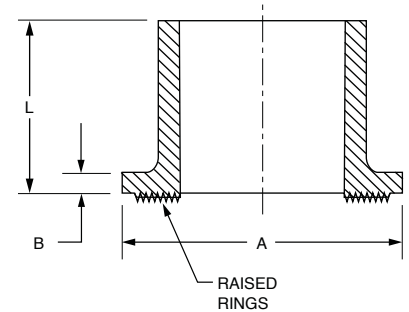
Size (inch)	SDR	Part No.	A (inch)	B (inch)	L (inch)	Box Qty	Weight (lb)
2	11	AF360000054	3.94	0.39	6.00	10	0.463
3	11	AF360000055	5.00	0.63	6.00	10	0.926
4	11	AF360000056	6.00	0.54	6.00	8	
6	11	AF360000057	8.50	0.78	8.00	2	4.431
8	11	AF360000058	10.63	1.00	11.00	2	10.097
10	11	AF360003451	12.75	1.28	9.10	2	11.684
12	11	AF360001440	15.00	1.54	12.00	2	
14	11	AF360001452	17.50	1.50	12.00	1	27.999
16	11	AF360001469	20.00	1.75	12.00	1	
18	11	AF360001482	21.38	1.88	12.00	1	
20	11	AF360016782	23.47	2.27	12.00		58.641
22	11	AF360016792	25.59	2.50	12.00		75.597
24	11	AF360016800	25.59	2.50	12.00		98.002

• Approval: NSF-61  
 • Approval: AWWA C906  
 • Approval: ASTM D2513 D3261

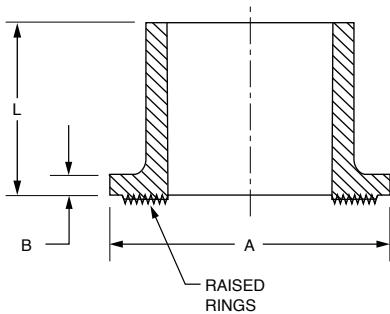
## AquaFuse Flange Adapters PE 3408/PE4710 SDR13.5

Size (inch)	SDR	Part No.	A (inch)	B (inch)	L (inch)	Box Qty	Weight (lb)
2	13.5	Upon Request	3.94	0.39	6.00	10	0.463
3	13.5	Upon Request	5.00	0.63	6.00	10	0.926
4	13.5	AF360001553	6.00	0.54	6.00	8	
6	13.5	AF360001572	8.50	0.78	8.00	2	4.431
8	13.5	AF360001590	10.63	1.00	11.00	2	10.097
10	13.5	AF360021845	12.75	1.28	9.10	2	11.684
12	13.5	AF360061586	15.00	1.54	12.00	2	
14	13.5	AF360001455	17.50	1.50	12.00	1	27.999
16	13.5	AF360001472	20.00	1.75	12.00	1	
18	13.5	AF360001484	21.38	1.88	12.00	1	
20	13.5	AF360045482	23.47	2.27	12.00		58.641
22	13.5	Upon Request	25.59	2.50	12.00		75.597
24	13.5	AF360016801	25.59	2.50	12.00		98.002

- Approval: NSF-61
- Approval: AWWA C906
- Approval: ASTM D2513 D3261



# FLANGE ADAPTERS



**AquaFuse Flange Adapters PE 3408/PE4710 SDR17**

Size (inch)	SDR	Part No.	A (inch)	B (inch)	L (inch)	Box Qty	Weight (lb)
2	17	AF360003508	3.94	0.39	6.00	10	0.375
3	17	AF360003509	5.00	0.63	6.00	10	0.750
4	17	AF360001556	6.00	0.54	6.00	8	1.543
6	17	AF360000017	8.50	0.78	7.75	2	4.167
8	17	AF360001594	10.63	1.00	9.25	2	10.097
10	17	AF360004436	12.75	1.28	9.10	2	8.774
12	17	AF360001443	15.00	1.54	12.00	2	14.969
14	17	AF360001457	17.50	1.50	12.00	1	19.996
16	17	AF360001474	20.00	1.75	12.00	1	28.770
18	17	AF360001486	21.38	1.88	12.00	1	34.921
20	17	AF360016783	23.47	2.27	12.00		40.091
22	17	AF360016793	25.59	2.50	12.00		54.939
24	17	AF360016802	25.59	2.50	12.00		68.002

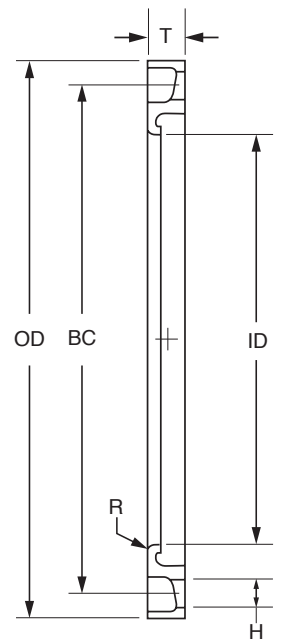
- Approval: NSF-61
- Approval: AWWA C906
- Approval: ASTM D2513 D3261



# FLANGE ADAPTERS: Backing Rings

## AquaFuse Ductile Iron Backing Rings PC 335 PSI 2" – 24" - SDR7

Size (inch)	SDR	OD (inch)	T (inch)	ID (inch)	Bolt Count	Bolt Hole Size (H)	Bolt Hole Circle (BC)	R	Weight (lb)
2	7	6.00	0.75	2.46	4	0.75	4.75	0.31	2.300
3	7	7.50	0.94	3.60	4	0.75	6.00	0.40	4.200
4	7	9.00	0.94	4.60	8	0.75	7.50	0.40	5.000
6	7	11.00	1.00	6.75	8	0.88	9.50	0.40	7.100
8	7	13.50	1.12	8.75	8	0.88	11.75	0.40	10.600
10	7	16.00	1.19	10.92	12	1	14.25	0.40	15.700
12	7	19.00	1.50	12.92	12	1	17.00	0.40	24.000
14	7	21.00	1.63	14.18	12	1.13	18.75	0.40	35.700
16	7	23.50	1.88	16.19	16	1.14	21.25	0.40	53.600
18	7	25.00	1.90	18.20	16	1.25	22.75	0.40	49.800
20	7	27.50	2.13	20.38	20	1.25	25.00	0.31	61.200
22	7	29.50	2.30	22.38	20	1.38	27.25	0.31	78.500
24	7								



### \*\*OTHER SIZES, MATERIALS, AND COATINGS AVAILABLE UPON REQUEST

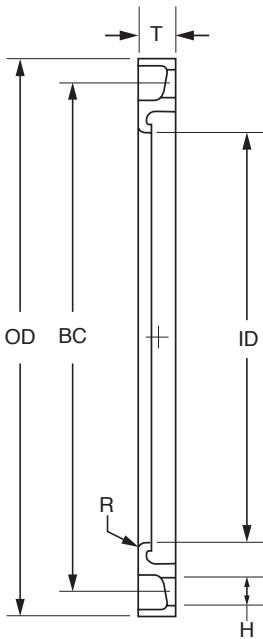
- Pressure Class (PC) 335, FM(250psi)
- Approval: GR 65/45/12
- Approval: ASTM A536
- Approval: FM 1613
- Standard: Convuluted Type, Ductile Iron, 150 lb. Drilling; Finish: Red Oxide Primer.

When requesting a quotation on Backing Rings please state the following:

1. State the size of the Backing Ring.
2. State the DR (7 or 11) or Pressure Class (335 PSI or 200 PSI).
3. State the material type.
  - a) Ductile Iron Backing Rings
  - b) Epoxy Coated Ductile Iron Backing Rings
  - c) Stainless Steel 316 Backing Rings
  - d) Polypropylene Encapsulated Ductile Iron Backing Rings

**Example:** 12" DR7 Epoxy Coated Ductile Iron Backing Rings.

# FLANGE ADAPTERS: Backing Rings



**AquaFuse Ductile Iron Backing Rings PC 200 PSI 2" – 24" - SDR11**

Size (inch)	SDR	OD (inch)	T (inch)	ID (inch)	Bolt Count	Bolt Hold Size (H)	Bolt Hole Circle (BC)	R	Weight (lb)
2	11	6.00	0.50	2.63	4	0.75	4.75	0.20	1.500
3	11	7.50	0.53	3.75	4	0.75	6.00	0.28	2.500
4	11	9.00	0.55	4.75	8	0.75	7.50	0.28	3.500
6	11	11.00	0.63	6.88	8	0.88	9.50	0.28	4.500
8	11	13.50	0.85	8.88	8	0.88	11.75	0.28	8.000
10	11	16.00	0.98	11.00	12	1.00	14.25	0.31	12.000
12	11	19.00	1.25	13.13	12	1.00	17.00	0.28	20.000
14	11	21.00	1.38	14.38	12	1.13	18.75	0.31	30.000
16	11	23.50	1.65	16.38	16	1.13	21.25	0.35	40.000
18	11	25.00	1.67	18.38	16	1.25	22.75	0.35	41.000
20	11	27.50	1.81	20.38	20	1.25	25.00	0.40	53.000
22	11	29.50	2.00	22.38	20	1.38	27.25	0.37	65.000
24	11								

**\*\*OTHER SIZES, MATERIALS, AND COATINGS AVAILABLE UPON REQUEST**

- Pressure Class (PC) 200, FM(200psi)
- Approval: GR 65/45/12
- Approval: ASTM A536
- Approval: FM 1613
- Standard: Convuluted Type, Ductile Iron, 150 lb. Drilling; Finish: Red Oxide Primer.

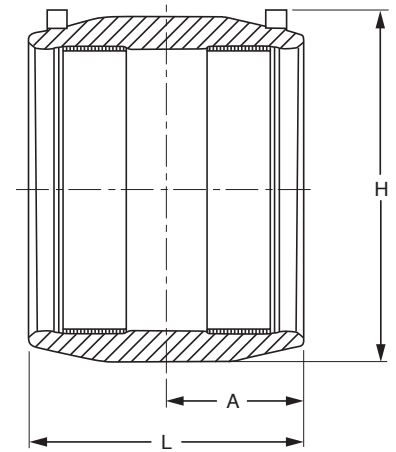
When requesting a quotation on Backing Rings please state the following:

1. State the size of the Backing Ring.
2. State the DR (7 or 11) or Pressure Class (335 PSI or 200 PSI).
3. State the material type.
  - a) Ductile Iron Backing Rings
  - b) Epoxy Coated Ductile Iron Backing Rings
  - c) Stainless Steel 316 Backing Rings
  - d) Polypropylene Encapsulated Ductile Iron Backing Rings

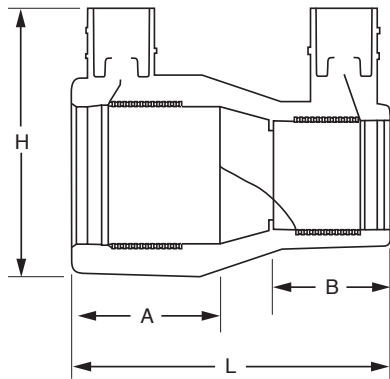
**Example:** 12" DR7 Epoxy Coated Ductile Iron Backing Rings.

# ELECTROFUSION FITTINGS: Couplings

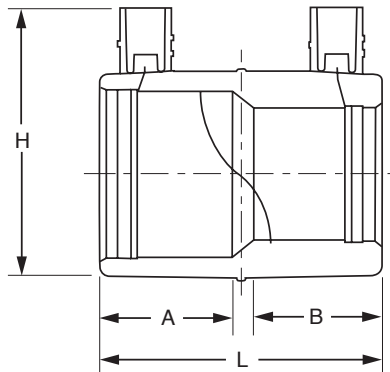
AquaFuse Electrofusion Coupler PE4710 - SDR 11/17					
Size (inch)	Part No.	H (inch)	L (inch)	A (inch)	Weight (lb)
½	AF360000885	1.88	2.88	1.44	0.132
¾	AF360000889	2.48	3.47	1.74	0.220
1	AF360000893	2.63	3.47	1.75	0.132
1½	AF360000899	3.36	4.33	2.17	0.331
2	AF360000920	3.77	4.72	2.36	0.375
3	AF360000933	5.10	5.63	2.82	1.168
4	AF360000936	6.22	6.14	3.07	1.676
6	AF360000939	8.70	8.35	4.10	4.497
8	AF360000944	11.20	9.48	4.70	8.444
10	AF360000902	13.15	10.39	5.20	15.741
12	AF360000905	15.82	11.50	5.75	23.104
14	AF360000909	17.24	12.13	6.06	35.186
16	AF360000913	19.65	13.54	6.77	47.091
18	AF360000917	22.13	14.96	7.48	65.610
20	AF360000924	24.57	16.46	8.23	91.007
22	AF360000926	27.21	17.95	8.98	117.991
24	AF360000930	30.59	19.50	9.75	177.009
26	AF360000932	28.27	19.51	9.76	155.007



# ELECTROFUSION FITTINGS: Reducer



STYLE #1



STYLE #2

## AquaFuse Electrofusion Reducer PE4710 - Molded

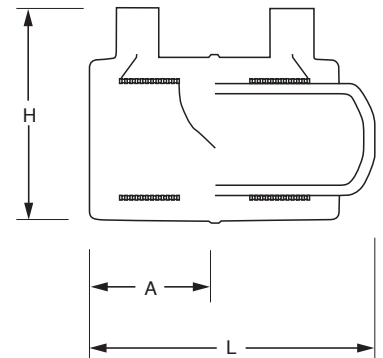
Size (inch)	Part No.	H (inch)	L (inch)	A (inch)	B (inch)	Box Qty	Weight (lb)
¾ x ½	AF360021360	2.50	3.28	1.25	1.47	40	0.132
1 x ½	AF360001071	2.60	3.28	1.46	1.53	30	0.154
1 x ¾	AF360001073	2.63	3.28	1.42	1.43	30	0.198
1¼ x 1	AF360001081	3.00	3.71	1.88	1.57	40	0.309
2 x 1¼	AF360021371	3.90	4.60	2.14	1.65	25	0.639

- Approval: ASTM D2513
- Approval: ASTM F1055
- Pin Type: 4.7R (4.7 Pin with Resistor)
- Approval: AWWA C906

# ELECTROFUSION FITTINGS: Cap – Flex Restraint Fitting

## AquaFuse Electrofusion Cap PE4710

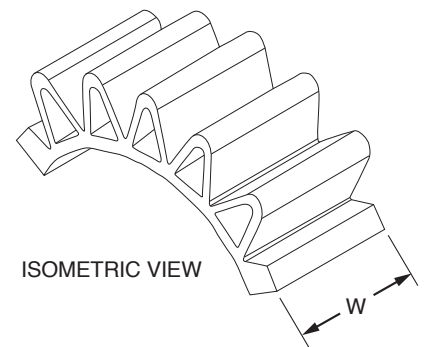
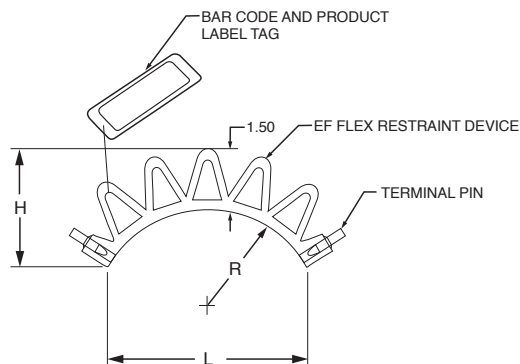
Size (inch)	Part No.	H (inch)	L (inch)	A (inch)	Box Qty	Weight (lb)
¾	AF360000860	1.36	3.52	2.32	50	0.220
1	AF360000862	1.57	3.82	2.56	40	0.220
1¼	AF360000866	1.82	5.13	3.00	40	0.353
2	AF360000869	2.09	4.94	3.82	25	0.595
3	AF360000871	2.72	10.30	5.18	10	2.138
4	AF360000874	3.00	10.89	6.51	4	3.064
6	AF360000876	4.10	14.71	8.70	4	8.951
8	AF360000879	4.70	15.61	11.20	1	7.011
12	AF360000868	5.75	17.68	15.70	1	23.900



## AquaFuse Electrofusion Flex Restraint Fitting

Size (inch)	Part No.	H (inch)	W (inch)	L (inch)	Box Qty	Weight (lb)
6 - 36	AF360000070	2.91	2.56	4.92	40	0.419

**Note:** Works on solid wall pipe 6" IPS and larger.  
 • Pin Type: 4.75 (4.7 Solid Pin)



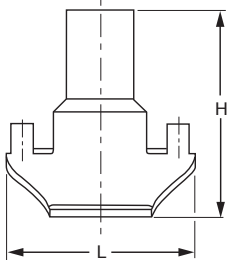
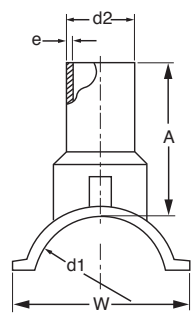
# ELECTROFUSION FITTINGS: Branch Saddle



**AquaFuse Electrofusion Branch Saddle SDR11**

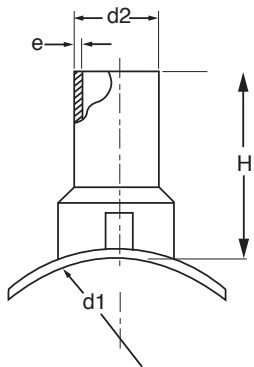
Size (inch)	SDR	Part No.	A (inch)	d2 (inch)	H (inch)	W (inch)	L (inch)	Style	Weight (lb)
2 x 2	11	AF360000759	3.28	2.38	6.65	3.59	6.63	3	0.899
3 x 2	11	AF360000763	3.28	2.38	6.65	4.60	6.63	3	0.970
4 x 2	11	AF360000772	3.28	2.38	7.27	6.26	6.63	3	1.135
6 x 2	11	AF360000780	3.28	2.38	8.43	8.68	6.63	3	2.000
8 x 2	11	AF360000785	3.28	2.38	5.29	6.75	6.75	2	1.041
10 x 2	11	AF360000741	3.28	2.38	5.53	6.75	6.75	2	1.219
12 x 2	11	AF360000751	3.28	2.38	5.70	6.75	6.75	2	1.135
4 x 4	11	AF360000768	3.85	4.50	6.00	7.00	8.38	1	2.116
6 x 4	11	AF360000774	4.14	4.50	7.20	9.63	9.13	1	3.858
8 x 4	11	AF360000787	3.85	4.50	6.00	9.56	10.40	1	15.565
10 x 4	11	AF360000742	3.85	4.50	6.00	12.84	15.03	3	21.451
12 x 4	11	AF360000752	3.85	4.50	6.00	14.78	17.16	3	26.963
8 x 6	11	AF360000788	4.62	6.63	10.17	10.94	13.16	3	16.799
10 x 6	11	AF360000743	4.62	6.63	10.99	12.82	15.03	3	27.646
12 x 6	11	AF360000753	4.62	6.63	11.82	14.78	17.16	3	27.999
10 x 8	11	AF360000745	5.29	8.63	11.66	12.84	15.03	3	
12 x 8	11	AF360000756	5.29	8.63	12.49	14.80	17.16	3	

Bottom Clamp  
STYLE 1

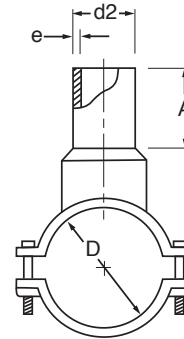
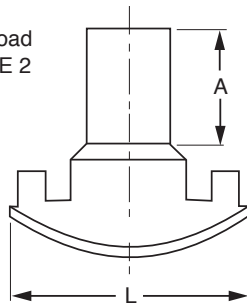


- Approval: NSF-61
- Approval: AWWA C906
- Approval: ASTM F1055
- Approval: ASTM D3261

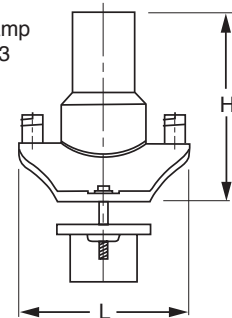
- Approval: ASTM D2513
- Full Pressure
- Outlet Wall: DR11
- Pin Type: 4.7S (4.7 Solid Pin)



Top Load  
STYLE 2



Under Clamp  
STYLE 3



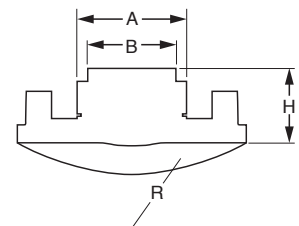
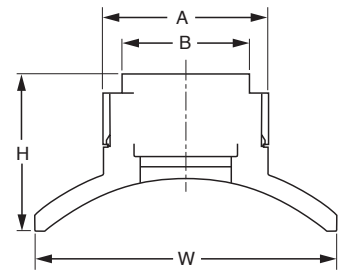
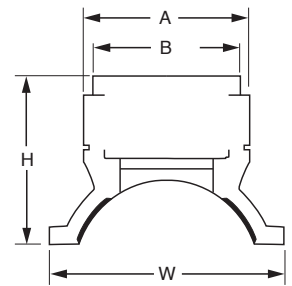
# ELECTROFUSION FITTINGS: Transition Saddles

**AquaFuse Electrofusion Saddle Brass 360 Female Thread - NPT Outlet**

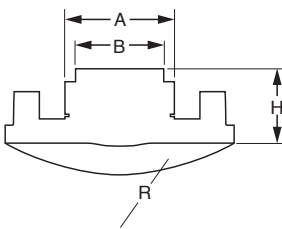
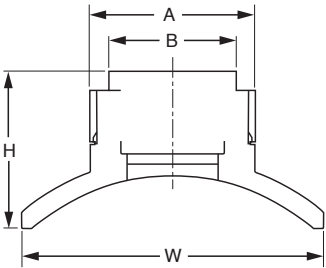
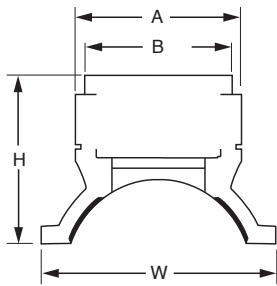
Size (inch)	SDR	Part No.	A (inch)	B (inch)	H (inch)	W (inch)	R (inch)	Box Qty	Weight (lb)
2 x ¾	11	AF360001137	3.25	2.50	3.27	3.59	1.19	10	2.161
3 x ¾	11	AF360001152	3.25	2.50	3.25	4.50	1.75	10	2.315
4 x ¾	11	AF360001167	3.25	2.50	3.80	6.26	2.35	5	2.337
6 x ¾	11	AF360001184	3.25	2.50	4.50	9.00	3.34	5	2.579
8 x ¾	11	AF360001209	3.25	2.50	2.50	6.10	4.31	10	2.579
10 x ¾	11	AF360001111	3.25	2.50	2.50	6.10	5.38	10	2.756
12 x ¾	11	AF360001129	3.25	2.50	2.50	6.10	6.38	10	2.579
3 x 1	11	AF360001155	3.25	2.50	3.25	4.50	1.75	10	2.006
4 x 1	11	AF360001170	3.25	2.50	3.25	6.26	2.35	5	2.183
6 x 1	11	AF360001187	3.25	2.50	4.50	9.00	3.34	5	2.425
8 x 1	11	AF360001213	3.25	2.50	2.50	6.10	4.31	10	2.028
2 x 1½	11	AF360001146	3.25	2.87	3.25	3.59	1.75	10	2.006
3 x 1½	11	AF360001161	3.25	2.87	3.25	4.50	1.75	10	2.050
6 x 1½	11	AF360001193	3.25	2.87	4.50	9.00	3.34	5	2.535
8 x 1½	11	AF360001218	3.25	2.87	2.50	6.10	4.31	10	2.161
10 x 1½	11	AF360001117	3.25	2.87	2.50	6.10	5.38	10	5.370
12 x 1½	11	AF360003709	3.25	2.87	2.50	6.10	6.38	5	2.094
8 x 2	11	AF360001207	3.50	3.25	2.50	6.10	4.53	5	4.277
10 x 2	11	AF360001119	3.50	3.25	2.50	6.10	5.38	5	4.431
12 x 2	11	AF360001134	3.50	3.25	2.50	6.10	6.38	5	2.227

Outlet Material: Brass 360 Alloy Compression Ring Material: Stainless 304

- Approval: NSF-61
- Pin Type: 4.7R (4.7 Pin with Resistor)
- Approval: ASTM F1055
- Approval: AWWA C906
- \*Approval: ANSI B1.20.1



# ELECTROFUSION FITTINGS: Transition Saddles



**AquaFuse Electrofusion Saddle 316SS Female Thread - NPT Outlet**

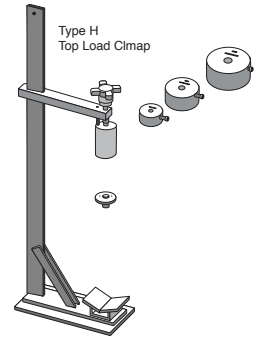
Size (inch)	SDR	Part No.	A (inch)	B (inch)	H (inch)	W (inch)	R (inch)	Box Qty	Weight (lb)
3 x ¾	11	AF360001153	3.25	2.50	3.18	4.60	1.25	10	2.315
4 x ¾	11	AF360001168	3.25	2.50	3.80	6.26	2.35	5	2.337
6 x ¾	11	AF360001185	3.25	2.50	4.96	8.68	3.34	5	2.579
8 x ¾	11	AF360001210	3.25	2.50	2.96	5.92	4.31	10	2.579
10 x ¾	11	AF360001103	3.25	2.50	2.21	6.10	5.55	15	2.756
3 x 1	11	AF360001156	3.25	2.88	3.25	4.50	1.75	10	2.006
4 x 1	11	AF360001171	3.25	2.88	3.80	6.26	2.35	5	2.183
6 x 1	11	AF360001188	3.25	2.88	4.50	9.00	3.34	5	2.425
8 x 1	11	AF360001214	3.25	2.88	2.50	6.10	4.31	10	2.028
12 x 1	11	AF360001132	3.25	2.50	2.50	6.10	6.38	10	
2 x 1½	11	AF360001147	3.25	2.87	3.25	3.59	1.19	10	2.006
3 x 1½	11	AF360001162	3.25	2.87	3.25	4.50	1.75	10	2.050
4 x 1½	11	AF360001177	3.25	2.87	3.80	6.26	2.35	5	
6 x 1½	11	AF360001194	3.25	2.87	4.50	9.00	2.34	5	2.535
8 x 1½	11	AF360001219	3.25	2.87	2.50	6.10	4.31	5	2.161
2 x 2	11	AF360001148	3.50	3.25	3.25	3.59	1.19	5	
3 x 2	11	AF360001163	3.50	3.25	3.25	4.50	1.75	5	
4 x 2	11	AF360021413	3.50	3.25	3.80	6.26	2.34	5	
6 x 2	11	AF360001196	3.50	3.25	4.50	9.00	3.34	5	
8 x 2	11	AF360001222	3.50	3.25	2.50	6.10	4.31	5	4.431
10 x 2	11	AF360021398	3.50	3.25	2.50	6.10	5.38	5	2.227

Outlet Material: Stainless 316 Compression Ring Material: Stainless 304

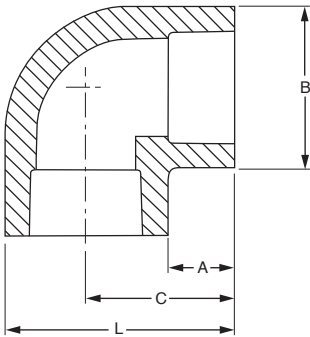
- Approval: ASTM D2513
- Approval: NSF-61
- Pin Type: 4.7R (4.7 Pin with Resistor)
- Approval: ASTM F1055
- Approval: AWWA C906
- Standard: ANSI B1.20.1



AquaFuse Electrofusion Side Wall Clamp				
Size (inch)	Part No.	Description	Clamp Style	Weight (lb.)
1¼" IPS	AF360002058	Saddle (Under) Clamp	A	1.190
1½" IPS	AF360002057	Saddle (Under) Clamp	AA	1.918
2" CTS	AF360002059	Saddle (Under) Clamp	AB	2.579
2" IPS	AF360002060	Saddle (Under) Clamp	B	2.006
3" IPS	AF360002061	Saddle (Under) Clamp	C	0.992
4" IPS	AF360002063	Saddle (Under) Clamp	D	2.866
4" DIPS	AF360002062	Saddle (Under) Clamp	L	3.682
6" IPS	AF360002066	Saddle (Under) Clamp	E	2.998
6" DIPS	AF360002065	Saddle (Under) Clamp	M	4.255
4" x 4"	AF360002064	Saddle (Under) Clamp	F	4.894
6" x 4"	AF360002067	Saddle (Under) Clamp	G	13.162
8" IPS x 12" DIPS, 200MM x 400MM	AF360003062	Top Load Clamp	H	22.002
4" PSM and 4" IPS	AF360003699	T-Clamp	J	7.672
6" IPS, 6" PSM, 8" IPS	AF360002948	T-Clamp	K	10.119
1" x 12'	AF360009217	Ratchet Tie-Down Nylon Straps	N	1.951
8" IPS and Larger		Top Load Clamp, EF Tooling Strap Style, w/Fitting Adapters		5.960



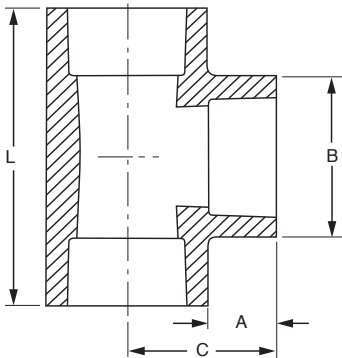
# SOCKET FUSION FITTINGS



**AquaFuse Socket Fusion 90° Elbow**

Size (inch)	Part No.	A (inch)	B (inch)	C (inch)	L (inch)	Box Qty	Weight (lb)
½	AF360002093	0.66	1.20	1.31	1.91	100	0.066
¾	AF360002095	0.75	1.50	1.63	2.38	100	0.110
1	AF360002099	0.77	1.83	1.69	2.61	60	0.154
1¼	AF360002101	0.95	2.27	2.09	3.23	100	0.265
1½	AF360002103	0.98	2.63	2.33	3.65	70	0.419
2	AF360002105	1.00	3.28	2.73	4.37	50	0.728
3	AF360002107	1.17	5.21	4.13	6.74	8	3.285
4	AF360002109	1.34	6.40	5.50	8.70	8	5.930

- Approval: ASTM D2513
- Approval: AWWA C906
- Approval: ASTM D2683



**AquaFuse Socket Fusion Tee**

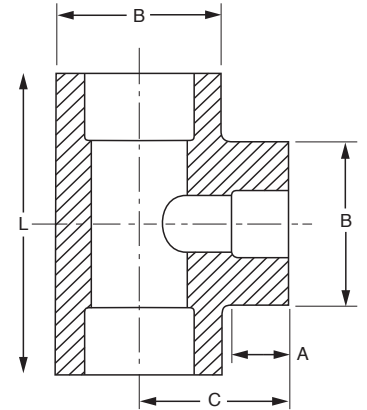
Size (inch)	Part No.	A (inch)	B (inch)	C (inch)	L (inch)	Box Qty	Weight (lb)
½	AF360002195	0.64	1.19	1.31	2.66	100	0.066
¾	AF360002198	0.73	1.49	1.63	3.25	100	0.154
1	AF360002205	0.75	1.84	1.69	3.41	100	0.132
1¼	AF360002207	0.98	2.30	2.10	4.22	100	0.375
1½	AF360002210	0.97	2.65	2.34	4.67	40	0.573
2	AF360002212	0.97	3.26	2.78	5.40	30	0.948
3	AF360002215	1.19	5.25	4.20	8.28	8	4.079

- Approval: ASTM D2513
- Approval: AWWA C906
- Approval: ASTM D2683

## AquaFuse Socket Fusion Reducing Tee

Size (inch)	Part No.	A (inch)	B (inch)	C (inch)	L (inch)	Box Qty	Weight (lb)
¾ x ½	AF360002197	0.65	1.50	1.63	3.25	100	0.265
1 x ½	AF360002202	0.65	1.85	1.69	3.38	100	0.265
1¼ x ¾	AF360003129	0.65	1.40	2.14	4.22	80	0.353
1¼ x 1	AF360003130	0.91	1.74	2.14	4.22	80	0.375
1½ x ¾	AF360003770	0.65	1.40	2.40	4.67	50	0.420
1½ x 1¼	AF360003772	0.98	2.21	2.54	4.67	30	0.772
2 x ¾	AF360003132	0.65	1.40	2.75	5.40	30	0.772
2 x 1¼	AF360003133	0.98	2.21	2.95	5.40	30	0.816

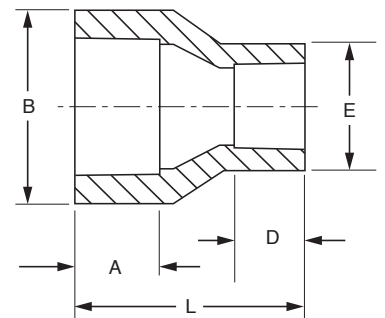
- Approval: ASTM D2513
- Approval: AWWA C906
- Approval: ASTM D2683



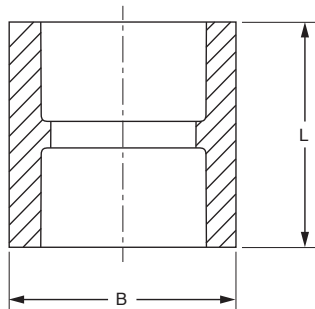
## AquaFuse Socket Fusion Reducer Bushing

Size (inch)	Part No.	A (inch)	B (inch)	D (inch)	E (inch)	L (inch)	Box Qty	Weight (lb)
1 x ½	AF360002162	0.78	1.83	0.65	1.21	2.16	100	0.880
1 x ¾	AF360002164	0.75	1.83	0.68	1.46	1.98	100	0.880
1¼ x ¾	AF360002170	1.00	2.26	0.72	1.46	2.18	100	0.132
1¼ x 1	AF360002172	0.96	2.26	0.81	1.83	2.27	100	0.141
1½ x 1	AF360002175	0.96	2.56	0.77	1.84	2.15	100	0.154
1½ x 1¼	AF360002177	0.97	2.56	0.95	2.30	2.16	100	0.176
2 x 1	AF360002180	0.99	3.27	0.76	1.83	2.52	100	0.265
2 x 1¼	AF360002182	1.00	3.28	0.96	2.28	2.55	100	0.287
2 x 1½	AF360002185	0.99	3.27	0.97	2.55	2.56	100	0.287
3 x 2	AF360002186	1.19	5.04	0.98	3.50	3.18	10	1.014
4 x 2	AF360002188	1.29	6.48	0.97	3.54	4.14	10	1.874
4 x 3	AF360002190	1.29	6.41	1.17	5.00	4.48	5	2.227

- Approval: ASTM D2513
- Approval: AWWA C906
- Approval: ASTM D2683

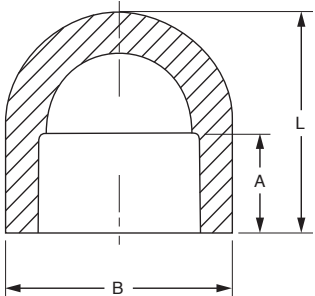


# SOCKET FUSION FITTINGS



AquaFuse Socket Coupling PE3408/PE4710					
Size (inch)	Part No.	B (inch)	L (inch)	Box Qty	Weight (lb)
½	AF360002131	1.20	2.19	100	0.044
¾	AF360002133	1.46	2.19	100	0.066
1	AF360002137	1.82	2.19	100	0.110
1¼	AF360002139	2.27	2.19	100	0.154
1½	AF360002141	2.55	2.18	100	0.176
2	AF360002143	3.27	2.36	100	0.331
3	AF360002145	5.07	2.81	10	1.168
4	AF360002147	6.48	3.18	10	2.050

- Approval: ASTM D2513
- Approval: AWWA C906
- Approval: ASTM D2683



AquaFuse Socket Fusion Cap						
Size (inch)	Part No.	A (inch)	B (inch)	L (inch)	Box Qty	Weight (lb)
½	AF360002113	0.66	1.23	1.37	100	0.022
¾	AF360002115	0.74	1.45	1.56	100	0.485
1	AF360002118	0.78	1.83	1.78	100	0.088
1¼	AF360002120	0.98	2.28	2.23	100	0.154
1½	AF360002122	0.98	2.55	2.00	100	0.176
2	AF360002124	0.99	3.28	2.23	100	0.309
3	AF360002126	1.19	5.05	3.05	10	1.124

- Approval: ASTM D2513
- Approval: AWWA C906
- Approval: ASTM D2683

# FABRICATED FITTINGS



*In AquaFusion We Trust™*



# FABRICATED FITTINGS



## Fabricated Fittings – Size Range and Handling

Description	Size
Minimum Diameters	½" - 2"
Maximum Diameters	54" IPS main lines
Maximum Assembly Dimensions	50' L X 8.5' W X 8.0' H (determined by truck loading limits)
<p>• Loads wider than 102" will require special permitting</p> <p>Applicable Fabricated Product Standards:</p> <ul style="list-style-type: none"> <li>• ASTM F713</li> <li>• ASTM D2513</li> <li>• ASTM D3350</li> <li>• ASTM D3261</li> <li>• ASTM F2206</li> <li>• AWWA C901/C906</li> <li>• NSF-61</li> <li>• Factory Mutual (FM) Approved</li> <li>• API</li> </ul>	

## Fabricated Elbows

Description	Size (inch)
IPS 3-Segment 90 Elbow (¼ Bend)	4"-54"
IPS 5-Segment 90 Elbow (¼ Bend)	4"-54"
IPS 2-Segment 45 Elbow (⅛ Bend)	4"-54"
IPS 3-Segment 45 Elbow (⅛ Bend)	4"-54"
IPS 2-Segment 22.5 Elbow (⅙ Bend)	4"-54"

## Fabricated Tees

Fabricated Tees	
Description	Size (inch)
IPS Fabricated Line Tee	4"-54"
IPS Branch Saddle Reducing Tee	4"-24"



## Fabricated Reducer Bushings

Fabricated Reducer Bushings	
Description	Size (inch)
IPS Reducers Bushings	2"-24"



**When requesting a quotation on fabricated fittings please state the following:**

1. State the working pressure (WPR) of the irrigation system.
2. State the DR rating of the pipe being fused to the fitting.
3. State the size of the fittings.
4. State the desired fitting/segments, elbow, tee, or reducer bushing etc.

**Example:** The working pressure of the irrigation system is 120 PSI according to the irrigation designer. The pipe being used is IPS DR13.5 PE4710. The irrigation designer or contractor wants a IPS 5-Segment 90 Elbow:

\*\*120PSI/IPS DR13.5/5-SEG ELBOW/14"

Based on the above we will quote the correct fitting required for your application.

# TRANSITION FITTINGS

---



---

*In AquaFuse We Trust™*





## CAT 3 TRANSITIONS



AquaFuse 304SS CAT 3 Transition Fitting			
Size (inch)	SDR	Part No.	Description
¾	11	AF360002498	Transition Fitting CAT3, TE, 304SS, 0.75, MPT, 0.75, IPS, DR11, PE4710, BLK, ANSI B1.20.1
1	11	AF360002499	Transition Fitting CAT3, TE, 304SS, 1, MPT, 1, IPS, DR11, PE4710, BLK, ANSI B1.20.1
1¼	11	AF360002500	Transition Fitting CAT3, TE, 304SS, 1.25, MPT, 1.25, IPS, DR11, PE4710, BLK, ANSI B1.20.1
1½	11	AF360002501	Transition Fitting CAT3, TE, 304SS, 1.5, MPT, 1.5, IPS, DR11, PE4710, BLK, ANSI B1.20.1
2	11	AF360002502	Transition Fitting CAT3, TE, 304SS, 2, MPT, 2, IPS, DR11, PE4710, BLK, ANSI B1.20.1
3	11	AF360002503	Transition Fitting CAT3, TE, 304SS, 3, MPT, 3, IPS, DR11, PE4710, BLK, ANSI B1.20.1
4	11	AF360002504	Transition Fitting CAT3, TE, 304SS, 4, MPT, 4, IPS, DR11, PE4710, BLK, ANSI B1.20.1



AquaFuse Brass CAT 3 Transition Fitting			
Size (inch)	SDR	Part No.	Description
¾	11	AF360002487	Transition Fitting CAT3, TE, BRS, 0.75, MPT, 0.75, IPS, DR11, PE4710, BLK, ANSI B1.20.1
1	11	AF360002488	Transition Fitting CAT3, TE, BRS, 1, MPT, 1, IPS, DR11, PE4710, BLK, ANSI B1.20.1
1¼	11	AF360002489	Transition Fitting CAT3, TE, BRS, 1.25, MPT, 1.25, IPS, DR11, PE4710, BLK, ANSI B1.20.1
1½	11	AF360002490	Transition Fitting CAT3, TE, BRS, 1.5, MPT, 1.5, IPS, DR11, PE4710, BLK, ANSI B1.20.1
2	11	AF360002491	Transition Fitting CAT3, TE, BRS, 2, MPT, 2, IPS, DR11, PE4710, BLK, ANSI B1.20.1
3	11	AF360002492	Transition Fitting CAT3, TE, BRS, 3, MPT, 3, IPS, DR11, PE4710, BLK, ANSI B1.20.1
4	11	AF360003677	Transition Fitting CAT3, TE, BRS, 4, MPT, 4, IPS, DR11, PE4710, BLK, ANSI B1.20.1

AquaFuse Carbon Steel CAT 3 Transition Fitting			
Size (inch)	SDR	Part No.	Description
¾	11	AF360002493	Transition Fitting CAT3, TE, CS, 0.75, MPT, 0.75, IPS, DR11, PE4710, BLK, ANSI B1.20.1
1	11	AF360002494	Transition Fitting CAT3, TE, CS, 1, MPT, 1, IPS, DR11, PE4710, BLK, ANSI B1.20.1
1¼	11	AF360002495	Transition Fitting CAT3, TE, CS, 1.25, MPT, 1.25, IPS, DR11, PE4710, BLK, ANSI B1.20.1
1½	11	AF360003678	Transition Fitting CAT3, TE, CS, 1.5, MPT, 1.5, IPS, DR11, PE4710, BLK, ANSI B1.20.1
2	11	AF360002496	Transition Fitting CAT3, TE, CS, 2, MPT, 2, IPS, DR11, PE4710, BLK, ANSI B1.20.1
3	11	AF360002497	Transition Fitting CAT3, TE, CS, 3, MPT, 3, IPS, DR11, PE4710, BLK, ANSI B1.20.1
4	11	AF360003679	Transition Fitting CAT3, TE, CS, 4, MPT, 4, IPS, DR11, PE4710, BLK, ANSI B1.20.1



