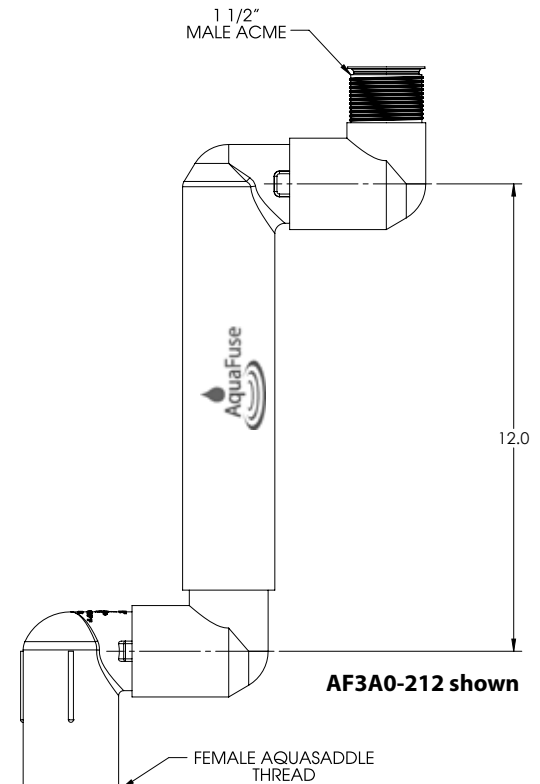




AquaFuse Swing Joints

- Connects directly to the AquaFuse AquaSaddle™
- Carries an industry leading 10 year warranty
- Available in many configurations
- Integral component of the AquaFuse® HDPE Piping System

SPECIFYING INFORMATION (AFXAX-XXX)						
AF	Body Style	Aquafuse Inlet	Outlet	-	Style	Lay Length
AF	1 = 1" 2 = 1¼" 3 = 1½"	A	0 = ACME 2 = MIPT C = 1" Reducing E = ½" MIPT F = ¾" MIPT S = Brass MIPT	-	2 = Standard Unitized 4 = Triple Top	08 = 8" Lay 12 = 12" Lay 18 = 18" Lay
Examples:						
1" Body, 1" ACME Outlet, Standard Style, and 12" Lay Length = AF1A0-212						
1" Body, 1" Brass MIPT Outlet, Standard Style, and 12" Lay Length = AF1AS-212						
1 1/4" Body, 1 1/4" ACME Outlet, Standard Style, and 8" Lay Length = AF2A0-208						
1 1/4" Body, 1 1/4" ACME Outlet, Triple Top, and 18" Lay Length = AF2A0-418						
1 1/2" Body, 1" Reducing Outlet, Triple Top, and 8" Lay Length = AF3AC-408						
1 1/2" Body, 1 1/2" ACME Outlet, Triple Top, and 12" Lay Length = AF3A0-412						



Specifications

AquaFuse Swing Joint Products shall be rated for use with water at 315 p.s.i. maximum working pressure @ 73°F when tested in accordance with A STM D3139 & F1970. AquaFuse Swing Joint Products shall be molded of rigid poly(vinyl) chloride (PVC). Type I, Cell classification 12454-B per ASTM specification D 1784, with pipe sockets per ASTM D 2464.

Suggested Swing Joint Specifications

Swing Joints shall have AquaFuse thread inlet and modified stub ACME threads with elastomeric O-ring seals at each rotating joint and meets ASTM Standard F2768 (Standard Specification for Modified Stub ACME Thread Joint with Elastomeric Seal in plastic piping components). Each rotating joint shall be sealed with an elastomeric O-ring, installed pre-compressed in a sealing groove free of parting lines to prevent leakage as produced by CMF Global.



2445 Fenton Street
 Chula Vista, CA 91914-3517
 Telephone: 1-619-869-8919
 Fax: 1-619-330-4532
 1-877-586-6060 24 Hour Technical Hotline



In AquaFusion We Trust™